

P1 PORT READER USB (P1R-004)

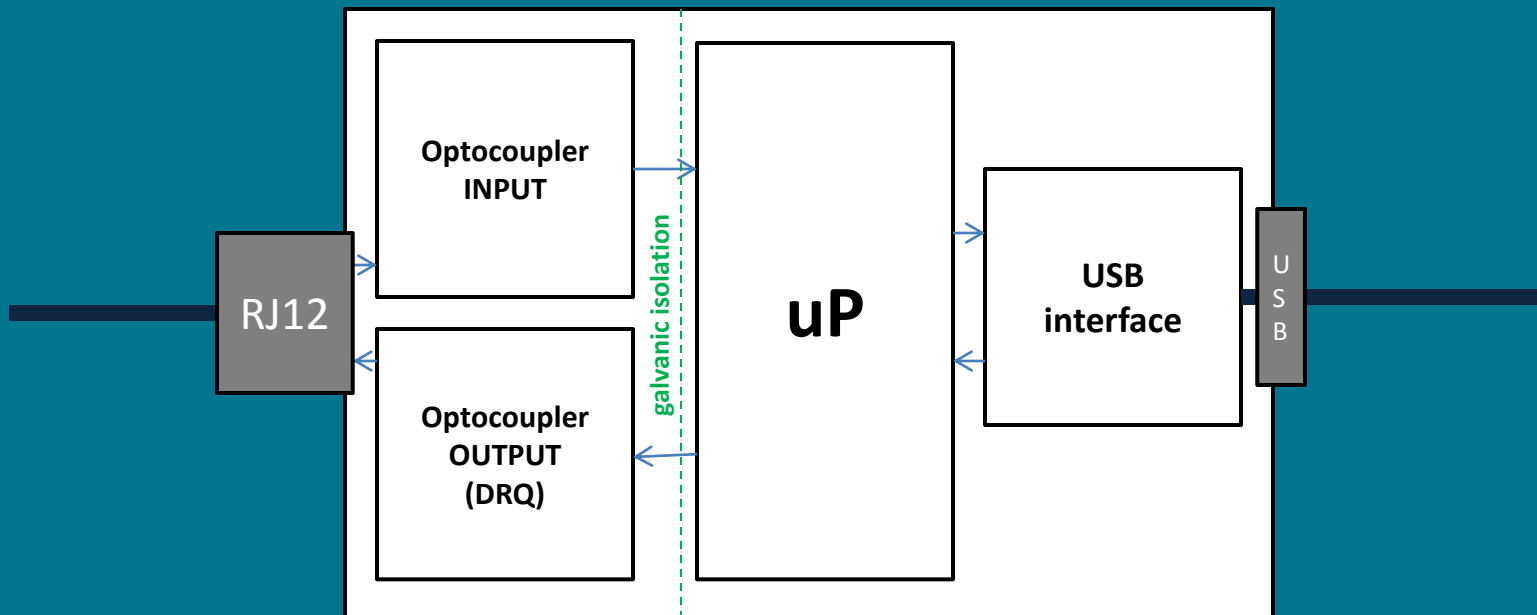
P1 port reader USB

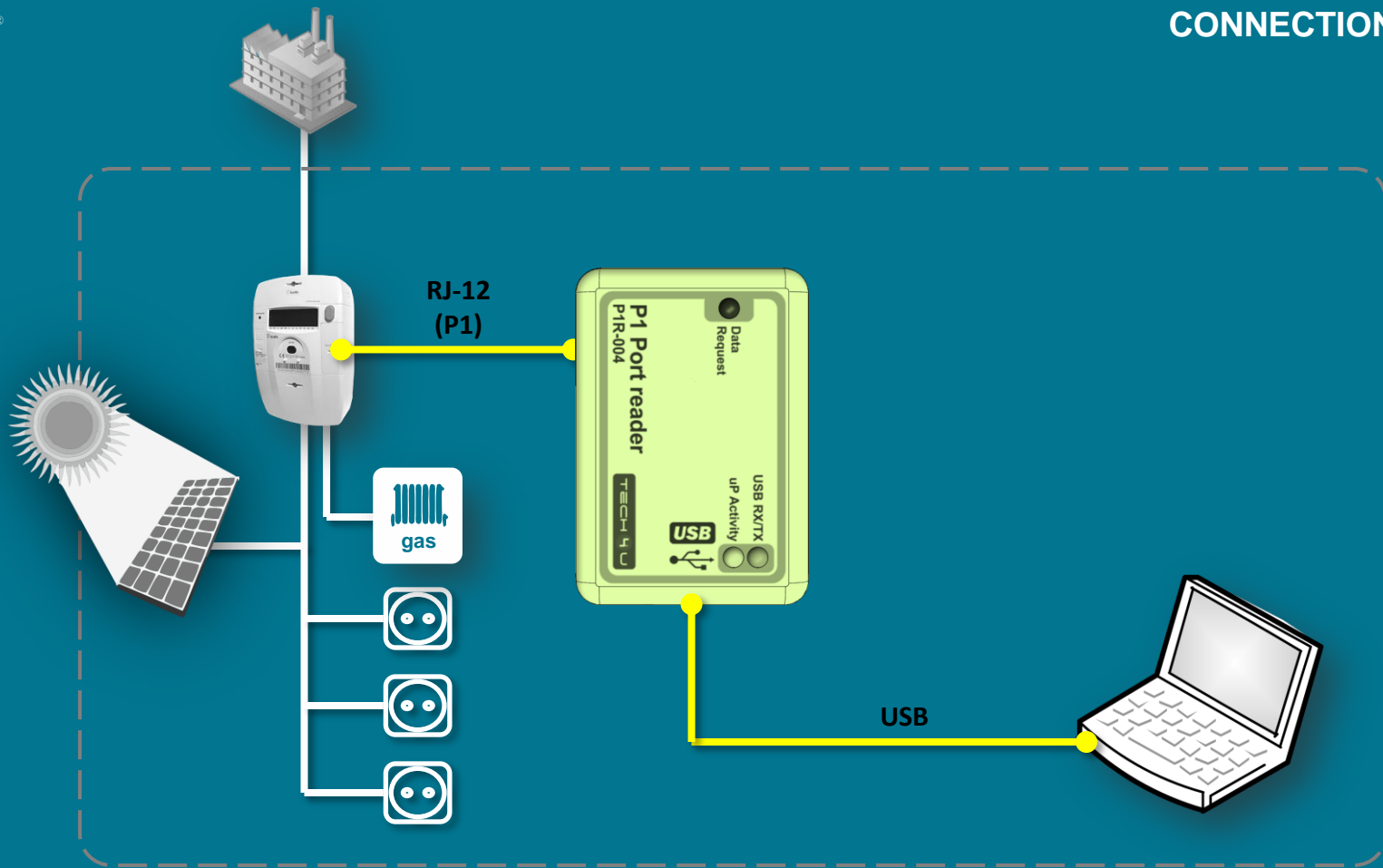


MAIN FEATURES

- ✓ Connected to the “Smart Meter” via P1 port
- ✓ All P1 port lines are galvanically isolated
- ✓ Allows reading and recording P1 messages coming from Smart Meter via USB port
- ✓ Interworks with “KEMA testing tool”
- ✓ Compatible with DSMR 4.x and DSMR 5.0
- ✓ Compatible with most freeware “COM port” applications
- ✓ Dedicated PC application allows for P1 data parsing
- ✓ Customized SW (sold separately) allows for range of SM automated tests
 - Time based tests
 - Tariff based tests
 - Meter accuracy tests
 - etc.







P1 Reader - Application
— □ ×

P1R-004 - USB Port reader - Application ver: 2.11

COM Port - ON

COM settings

RAW - P1 message window

Save

```

/XXMXSLG8BFFB231246053

1-3:0.2.8(40)
0-0:1.0.0(151019151842S)
0-0:96.1.1(4530303034303031363134383133343134)
1-0:1.8.1(002708.333*kWh)
1-0:2.8.1(000000.000*kWh)
1-0:1.8.2(001373.800*kWh)
1-0:2.8.2(000000.000*kWh)
0-0:96.14.0(0002)
1-0:1.7.0(00.651*kW)
1-0:2.7.0(00.000*kW)
0-0:17.0.0(999.9*kW)
0-0:96.3.10(1)
0-0:96.7.21(00002)
0-0:96.7.9(00000)
1-0:99.97.0(0)(0-0:96.7.19)
1-0:32.32.0(00010)
1-0:32.36.0(00000)
0-0:96.13.1()
0-0:96.13.0()
1-0:31.7.0(003*A)
1-0:21.7.0(00.651*kW)
1-0:22.7.0(00.000*kW)
!84FA
                    
```

Read single P1

DRQ - ON

DRQ - OFF

Clear window

Parser
— □ ×

P1 message Parser

RES	OBIS	Value	Units	Description
OK		XXMXSLG8BFFB231246053		SM P1 Header - Manufacturer specific
OK	1-3:0.2.8	40		Version information for P1 output
OK	0-0:1.0.0	2015-10-19 15:18:42	S	P1 Time stamp, with DST indication
OK	0-0:96.1.1	E0004001614813414		Equipment identifier
OK	1-0:1.8.1	2708.333	kWh	Meter Reading electricity delivered to client Tariff 1) in 0,001 k
OK	1-0:2.8.1	0.000	kWh	Meter Reading electricity delivered by client Tariff 1) in 0,001 k
OK	1-0:1.8.2	1373.800	kWh	Meter Reading electricity delivered to client Tariff 2) in 0,001 k
OK	1-0:2.8.2	0.000	kWh	Meter Reading electricity delivered by client Tariff 2) in 0,001 k
OK	0-0:96.14.0	2		Tariff indicator electricity
OK	1-0:1.7.0	0.651	kW	Actual electricity power delivered (+P) in 1 Watt resolution
OK	1-0:2.7.0	0.000	kW	Actual electricity power received (-P) in 1 Watt resolution
OK	0-0:17.0.0	999.900	kW	The actual threshold Electricity in kW
OK	0-0:96.3.10	1		Switch position Electricity (in/out/enabled).
OK	0-0:96.7.21	2		Number of power failures in any phase
OK	0-0:96.7.9	0		Number of long power failures in any phase
OK	1-0:99.97.0	0		Power Failure Event Log (long power failures)
OK	1-0:32.32.0	10		Number of voltage sags in phase L1
OK	1-0:32.36.0	0		Number of voltage swells in phase L1
OK	0-0:96.13.1			Text message codes: numeric 8 digits
OK	0-0:96.13.0			Text message max 1024 characters
OK	1-0:31.7.0	3.000	A	Instantaneous current L1 in A resolution
OK	1-0:21.7.0	0.651	kW	Instantaneous active power L1 (+P)
OK	1-0:22.7.0	0.000	kW	Instantaneous active power L1 (-P)
OK		84FA		CRC calculation

Parse P1



P1 PORT READER USB (P1R-004)

P1 port reader USB

Questions ?



P1 PORT READER USB (P1R-004)

P1 port reader USB

Thank you for your attention